



MULTIPURPOSE HELICOPTER

Ka-32A11BC



engine takeoff power
2 x 2 200 hp



maximum cargo
sling load 5 000 kg



passengers:
up to 13 ppl



cruise speed
245 km/h



crew: 1-3 ppl



service ceiling
5 000 m

Ka-32A11BC

Ka-32A11BC is designed for transportation of bulky cargoes on external sling, building and construction works, logging, SAR and fire-fighting operations, medical evacuation, law enforcement and special services support operations, passenger and cargo transportation inside the cabin. The helicopter can be successfully operated in densely built-up urban areas, adverse mountainous and wooded terrain, over land and vast water surfaces.

The helicopter is capable of operating from small unprepared landing sites, vessels and oil rig platforms.

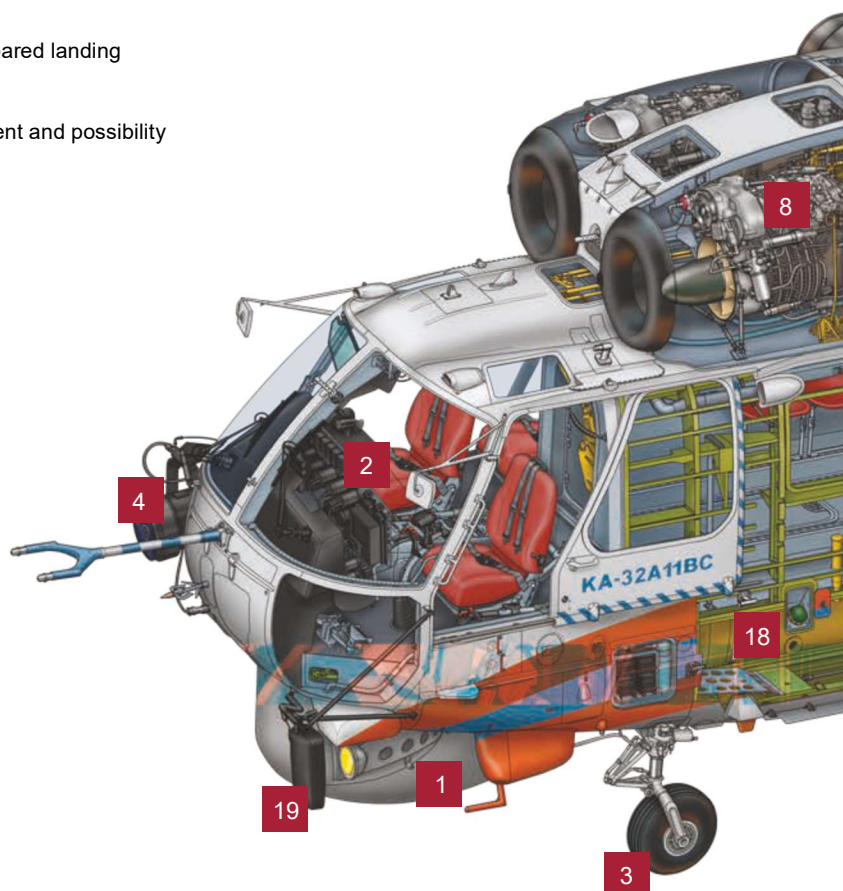
Ka-32A11BC helicopter has long-term off-base deployment and possibility of non-hangar storage.

/// EASA certificate

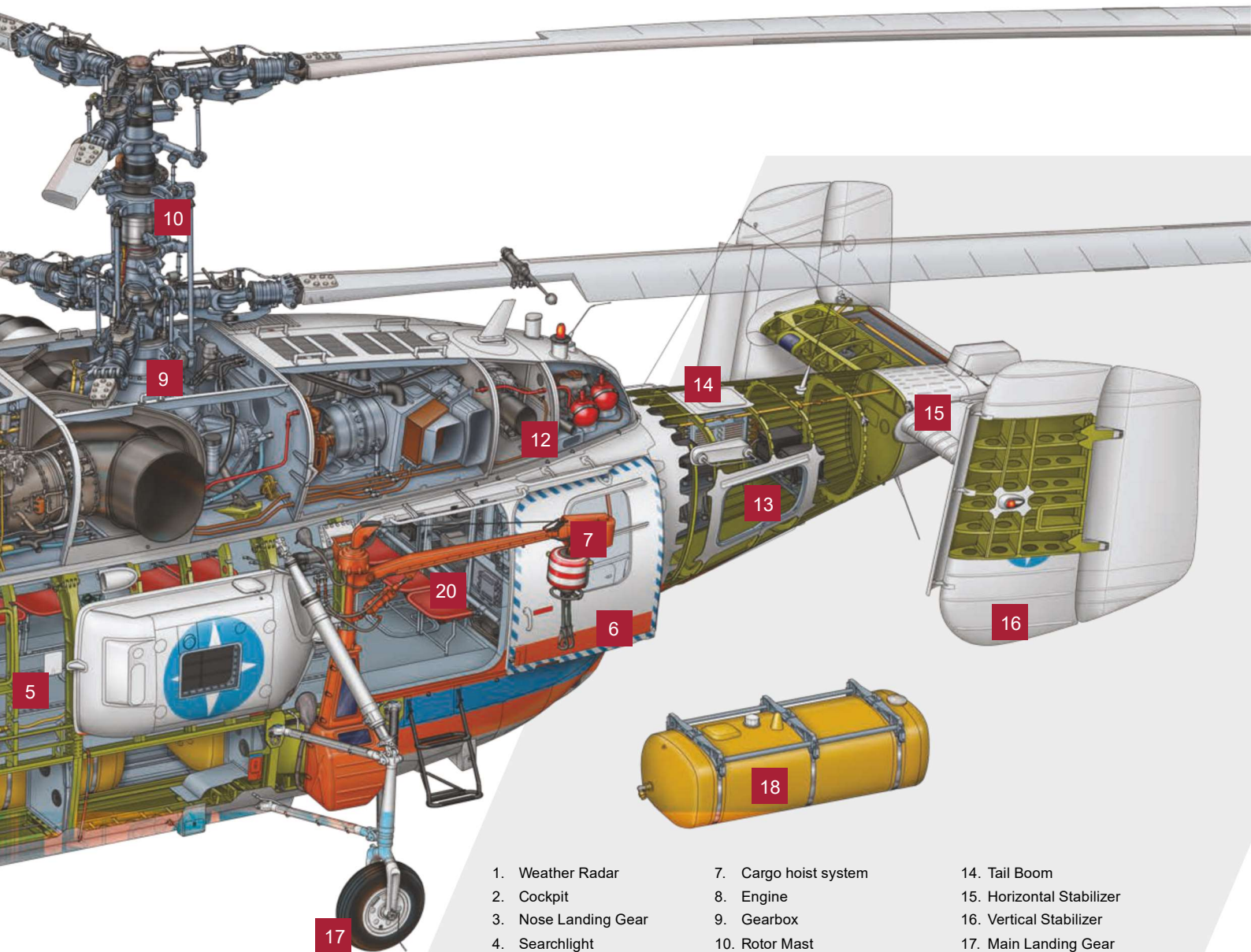
/// AP-29, FAR-29 compliant

Ka-32A11BC ADVANTAGES

- Heavy lift capacity: up to 5 tons on external sling
- Maneuverability: compactness and controllability
- Operation in challenging conditions: maritime climate, high-mountain area, icing conditions, high wind effect.
- Operation economy: low operating costs, assigned service life – 32 000 hours



/// Coaxial rotor design and absence of tail rotor provide high power-to-weight ratio, maneuverability and controllability in conditions where conventional helicopters are less efficient



- | | | |
|------------------------------------|--------------------------|--|
| 1. Weather Radar | 7. Cargo hoist system | 14. Tail Boom |
| 2. Cockpit | 8. Engine | 15. Horizontal Stabilizer |
| 3. Nose Landing Gear | 9. Gearbox | 16. Vertical Stabilizer |
| 4. Searchlight | 10. Rotor Mast | 17. Main Landing Gear |
| 5. Transport Cabin | 11. Main Rotor Blades | 18. Auxiliary Fuel Tanks |
| 6. LH Transport Cabin Sliding Door | 12. Auxiliary Power Unit | 19. Downward View Mirror |
| | 13. Avionics Compartment | 20. Folding Seats in the Transport Cabin |



FIREFIGHTING

- Ka-32A11BC has been chosen as a symbol of the Global Helicopter Firefighting Initiative (GHFI)



High efficiency in firefighting in challenging conditions

The helicopter can effectively perform tasks in the conditions of high level of smoke and dust concentration. It is capable of extinguishing fires on oil tankers and oil reservoirs, in the fuel, chemical and oil refining factories, oil and gas extraction areas, on high floors and roofs of high-rise buildings. Ka-32A11BC is also highly effective in fighting forest fires.

The helicopter is equipped with additional mission equipment: the "water cannon" for horizontal fire suppression, and suspended water tanks having the capacity of up to 5000 liters of fire extinguishing agent ("VSU-5", "Bambi Bucket", "Simplex" firefighting systems).



CONSTRUCTION AND MOUNTING (TRANSPORT)

Exceptional accuracy in mounting bulky cargoes

High maneuverability and hovering stability ensured by coaxial-rotor design provide exceptional accuracy in mounting bulky cargoes.

Helicopter compactness and absence of tail rotor increase the ground personnel safety.

High power-to-weight ratio of the helicopter allows transporting cargoes and assembling structures of up to 5 tons.



SEARCH AND RESCUE

Reliable performance in challenging conditions.

The helicopter design ensures resistance to corrosive marine environment and reliable operation in high humidity conditions.

Coaxial rotor design ensures stability and precision of hovering at high wind effect, which facilitates the lifting of patients on board during SAR operations.

The abovementioned allows helicopter operating in mountainous areas, at sea and in confined urban environments, including icing conditions.



EMS

Capability to perform CPR on board

Specialized medical module equipped with advanced intensive care unit allows performing resuscitation when transporting patients to hospitals or other emergency service facilities.

Dimensions of the transport cabin allow accommodating a patient on the resuscitation module or up to 4 patients on stretchers accompanied by medical personnel.



POLICE

High efficiency in law enforcement operations

Video surveillance systems and loudspeakers allow police divisions to use the helicopter in patrolling streets and roads, including at night time.

Exceptional precision and stability during sustained spot hovering ensure efficient landing of special forces.



PERFORMANCE

WEIGHT



Max takeoff weight, kg 11 000

Max takeoff weight with underslung load, kg 12 700

Max payload, kg

- inside transport cabin 3 700

- on external sling 5 000

ENGINES



2 x TV3-117VMA

Takeoff power, hp 2 x 2 200

2.5-min OEI power, hp 2 x 2 400

PERFORMANCE



Max speed, km/h 260

Cruise speed
(max continuous engine rating), km/h 245

Service ceiling, m 5 000

Max range (standard fuel), km 650

Crew, ppl 1-3

Passengers, ppl up to 13

TRANSPORT CABIN DIMENSIONS

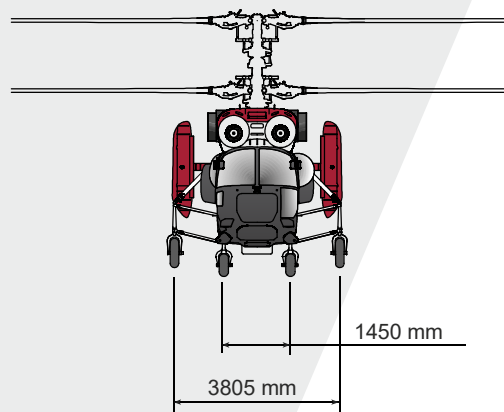
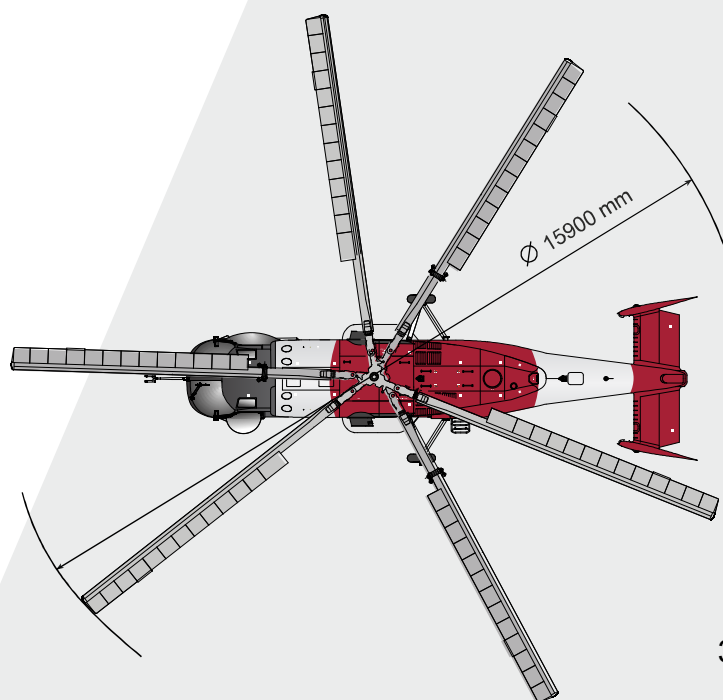
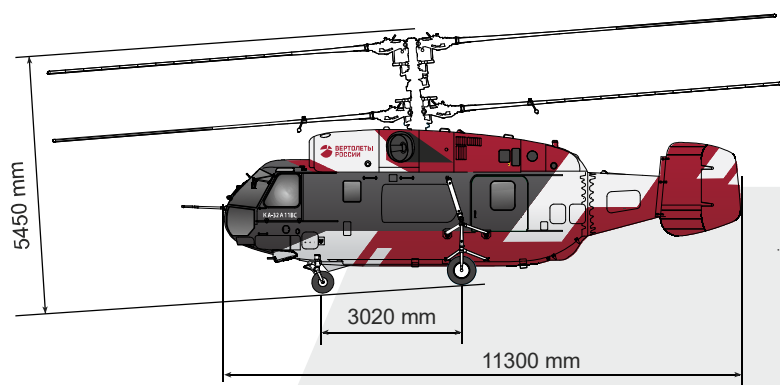


Length, mm 4 520

Width (max at floor level), mm 1 450

Height, mm 1 320

Volume, m³ 7,3



I'M AERO LLC

3130 Skyway Dr., Suite 408, Santa Maria, CA 93455

AERO_USA@outlook.com

www.iam.aero